



your cellar detail

winy-design.com

ExaWine

ExaWine is a new line of designer **bottle racks** that allows you to showcase your **wine collection**.

Each **ExaWine** unit accommodates 7 bottles in horizontal position, which is optimal for the best **wine preservation**.

The **hexagon** is a visually pleasing shape when used individually in space, but it also offers the possibility to create **multiple compositions**.

Exawine is available in various finishes. Of particular note are the ExaWine cells in stabilized natural lichen, which feel soft to touch and have excellent sound-absorbing capabilities.

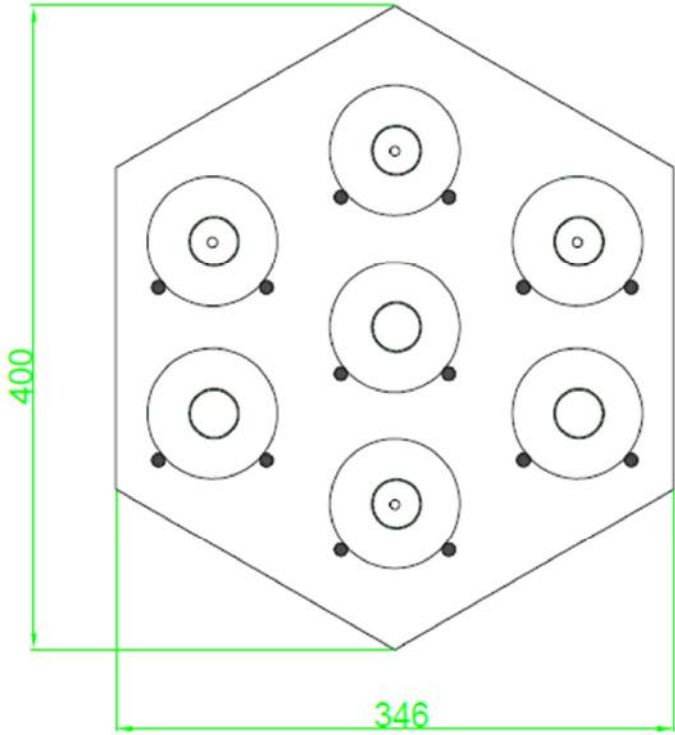
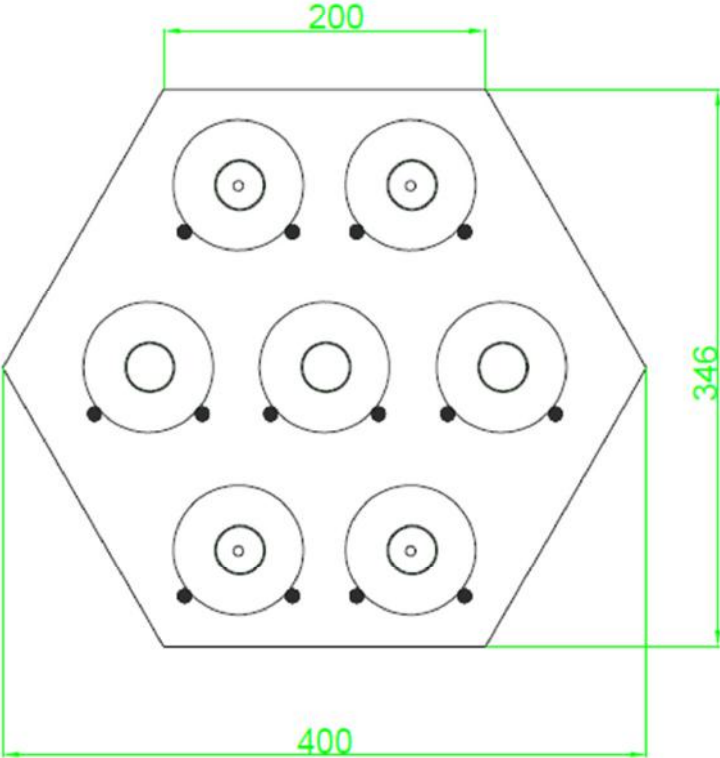
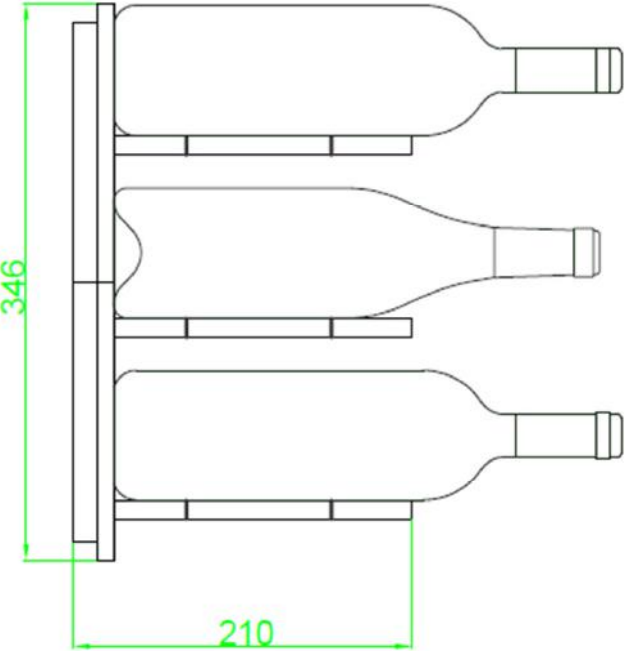
Upon request, the **ExaWine** collection can be available in any finish and with LED backlighting.



DATA SHEET EXAWINE

ExaWine Horizontal L

ExaWine Vertical L



EXAWINE LIGHT PLYWOOD – HORIZONTAL

cod. EXAH001BON-S0N

Dimension on the wall:

Hight : 35 cm

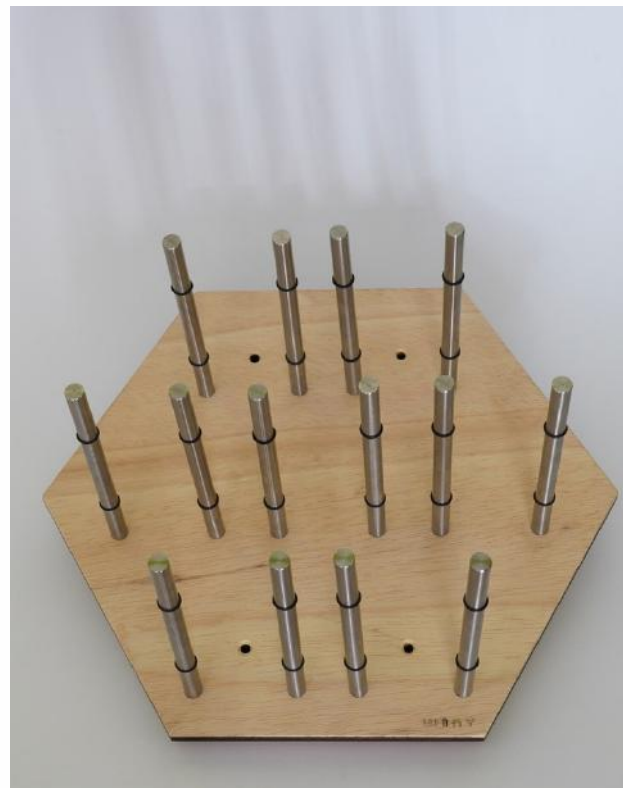
Lenght : 40 cm

Thickness: 21 cm

Weight : 3,3 kg

Material: Wood

Bottle holder: Burnished steel (cod. B) or
Stainless steel (cod. S)



Packing size : 40*40*5 cm

Total weight with packaging : 3,5 kg

EXAWINE LIGHT PLYWOOD – VERTICAL

cod. EXAV001BON-SON

Dimension on the wall:

Hight : 40 cm

Lenght : 35 cm

Thickness: 21 cm

Weight : 3,3 kg

Material: blonde Wood

Bottle holder: Burnished steel (cod. B) or
Stainless steel (cod. S)



Packing size : 40*40*5 cm

Total weight with packaging : 3,5 kg

EXAWINE DARK PLYWOOD – HORIZONTAL

cod. EXAH002BON-SON

Dimension on the wall :

Hight : 35 cm

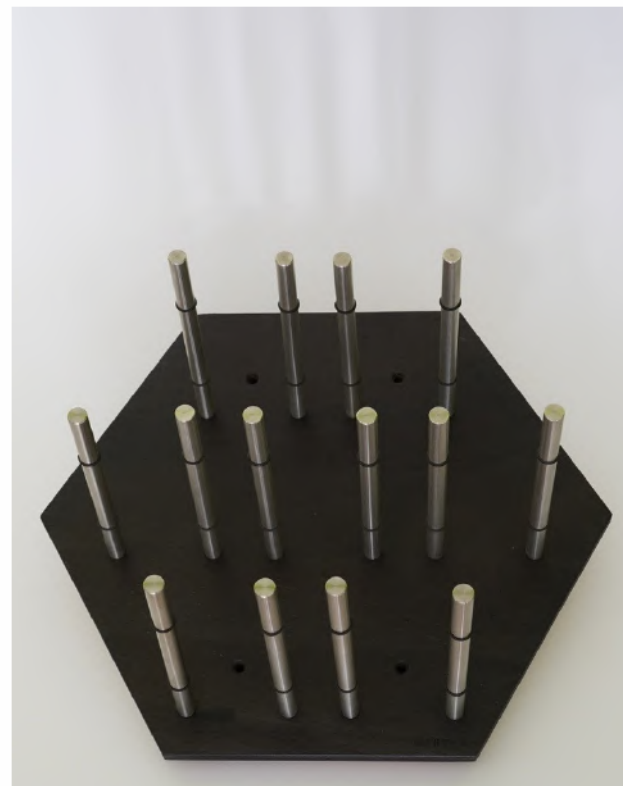
Lenght : 40 cm

Thickness: 21 cm

Weight : 3,3 kg

Material: dark Wood

Bottle holder: Burnished steel (cod. B) or
Stainless steel (cod. S)



Packing size : 40*40*5 cm

Total weight with packaging : 3,5 kg

EXAWINE DARK PLYWOOD – VERTICAL

cod. EXAV002BON - SON

winy
your cellar detail

Dimension on the wall :

Hight : 40 cm

Lenght : 35 cm

Thickness: 21 cm

Weight : 3,3 kg

Material: dark Wood

Bottle holder: Burnished steel (cod. B) or
Stainless steel (cod. S)



Packing size : 40*40*5 cm

Total weight with packaging : 3,5 kg

EXAWINE CONCRETE PANEL – HORIZONTAL

cod. EXAH011B0N-S0N



Dimension on the wall:

Height : 35 cm

Length : 40 cm

Thickness: 21 cm

Weight : 3,7 kg

Material: Concrete panel

Bottle holder: Burnished steel (cod. B) or
Stainless steel (cod. S)



Packing size : 40*40*5 cm

Total weight with packaging : 4 kg

EXAWINE CONCRETE PANEL – VERTICAL

cod. EXAV011B0N-S0N



Dimension on the wall:

Height : 40 cm

Length : 35 cm

Thickness: 21 cm

Weight : 3,7 kg

Material: Concrete panel

Bottle holder: Burnished steel (cod. B) or
Stainless steel (cod. S)

EXAV011B0N



EXAV011S0N



Packing size : 40*40*5 cm

Total weight with packaging : 4 kg

EXAWINE GREEN MOSS – HORIZONTAL

cod. EXAH020B1N-S0N

Dimension on the wall:

Hight : 35 cm

Lenght : 40 cm

Thickness: 21 cm

Weight : 3,3 kg

Material: wood panel with Green Moss coating

Bottle holder: Black painted steel (cod. B) or
Stainless steel (cod. S)



Packing size : 40*40*9 cm

Total weight with packaging : 3,5 kg

EXAWINE GREEN MOSS – VERTICAL

cod. EXAV020B1N-S0N

Dimension on the wall:

Hight : 40 cm

Lenght : 35 cm

Thickness: 21 cm

Weight : 3,3 kg

Material: wood panel with Green Moss coating

Bottle holder: Black painted steel (cod. B) or
Stainless steel (cod. S)



Packing size : 40*40*9 cm

Total weight with packaging : 3,5 kg

EXAWINE GREEN MOSS – IRON FRAME

cod. EXAH021B1N

Dimension on the wall:

Hight : 35 cm

Lenght : 41 cm

Thickness: 21 cm

Weight : 3,8 kg

Material: wood panel with Green Moss coating

Bottle holder: Black painted steel

Frame: Black painted steel



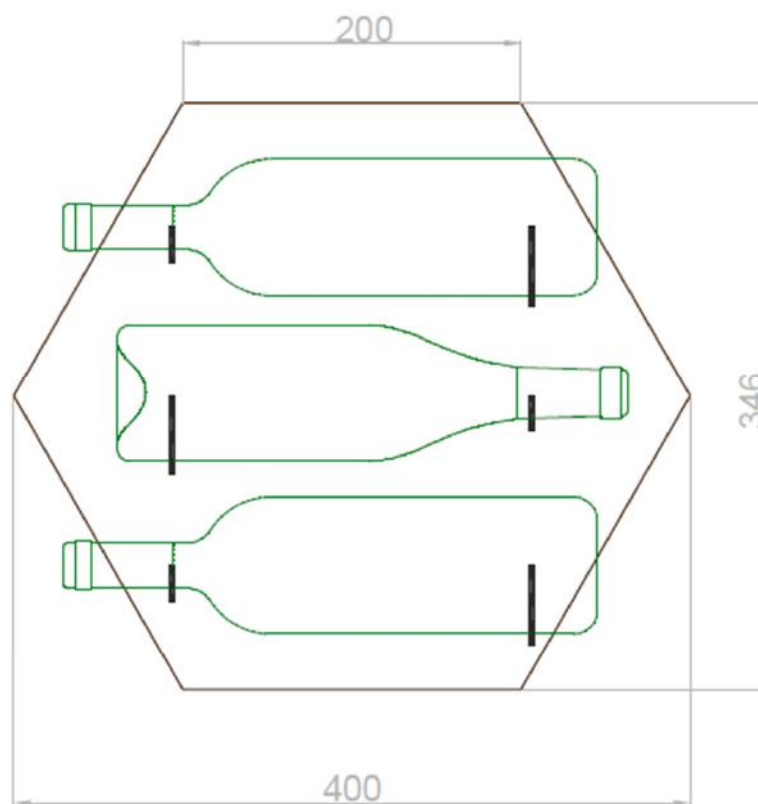
Packing size : 40*40*9 cm

Total weight with packaging : 4 kg

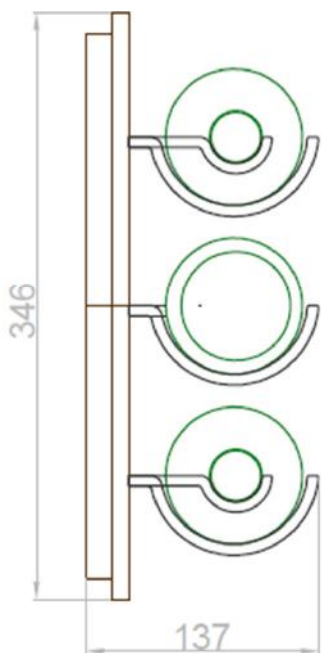
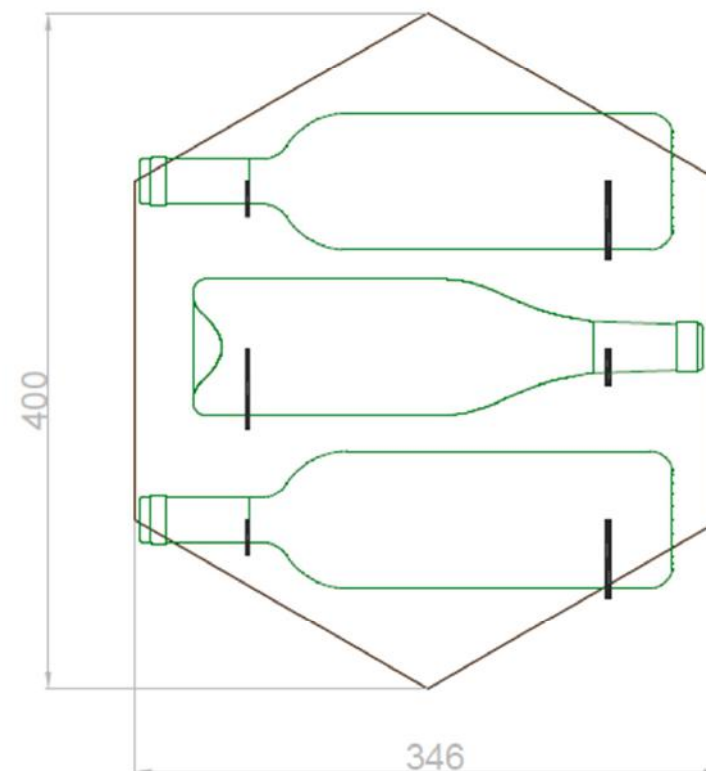
DATA SHEET EXAWINE

SPECIAL SERIES X3

ExaWine Horizontal L



ExaWine Vertical L



EXAWINE GREEN MOSS – HORIZONTAL

special set 3 bottle

od. EXAH020P1N



Dimension on the wall:

Hight : 35 cm

Lenght : 40 cm

Thickness: 14 cm

Weight : 1,3 kg

Material: wood panel with Green Moss coating

Bottle holder: Black painted steel



Packing size : 40*40*15 cm

Total weight with packaging : 1,5 kg

EXAWINE GREEN MOSS – VERTICAL

special set 3 bottle

cod. EXAV020P1N

Dimension on the wall:

Hight : 40 cm

Lenght : 35 cm

Thickness: 14 cm

Weight : 1,3 kg

Material: wood panel with Green Moss coating

Bottle holder: Black painted steel



Packing size : 40*40*15 cm

Total weight with packaging : 1,5 kg



Winy by Winest di Paolo Panizzolo

via G. B. Vico, 8 • Paderno D. (MI)

+39 02.9106657 • info@winy-design.com

